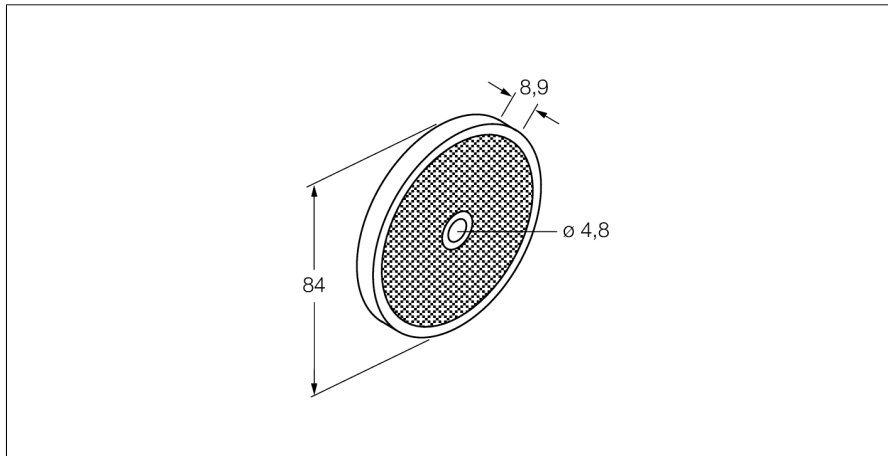


# reflector T-BRT-3

**TURCK**

Industrial  
Automation



- Round housing
- reflective area 1
- Reflection coefficient 1
- (Reference BRT-3)

### Functional principle

Retro-reflective sensors incorporate emitter and receiver in a single compact housing. The light beam of the emitter is directed towards a reflector which returns the light back to the receiver. An object is detected when it interrupts this beam. Retro-reflective sensors have a high function gain and good contrast performance. Further it is merely required to install and wire a single device.

|                            |                  |
|----------------------------|------------------|
| <b>Type code</b>           | T-BRT-3          |
| Ident no.                  | 7700369          |
| <b>Ambient temperature</b> | -20...+60 °C     |
| <b>Dimensions</b>          | 8.9 mm           |
| Housing diameter           | 84 mm            |
| Lens                       | plastic, acrylic |