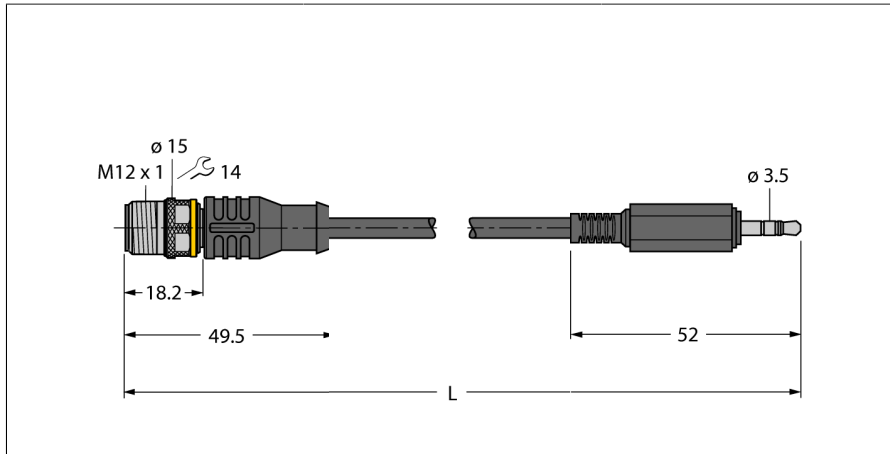


Accessories

IO-Link Communication Line

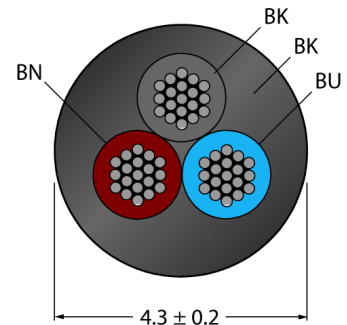
Extension Cable

IOL-COM/3M

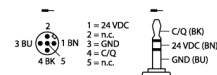


- IO-Link communication line
- For connection of IO-Link devices
- Device connected via 3.5 mm jack plug
- Master connected via M12 x 1 male connector
- Cable length 3 m

Cable Cross-Section



Pin Assignment



Functional principle

The communication line IOL-COM/3M connects the IO-Link master with the IO-Link device. For this purpose plug the M12 connector to the master and the 3.5 mm jack plug to the device. The IOL-COM/3M is not used to supply the device with power.

The device can be operated either in IO-Link (IOL) or in standard IO (SIO) mode via the IO-Link interface. SIO mode is the normal operating mode of the switching outputs whereas IOL mode enables serial transmission of digital process values.

The devices are parametrized software-supported via IO-Link interface, for example via the device specific IODD/DTM within the FDT frame PACTware™ or near the control via On-Request Data Objects (ORDO).

Type	IOL-COM/3M
ID	7525110
Connector A	Male, M12 × 1, Straight
Number of Pins	5
Contact carriers	Plastic, TPU, Black
Connector body	Plastic, TPU, Black
Coupling nut/screw	Brass, CuZn, Nickel-plated
Tightening torque (range)	0.8 ... 1 Nm
Mechanical lifespan	> 100 Mating cycles
Pollution degree	3
Protection class	IP67, Only in screwed condition

Connector B	Male, Straight
Number of pins	1 pins
Contact carriers	Plastic, Black
Connector body	Plastic, PVC, Black

Cable diameter	Ø 4.3mm
Cable length	3 m m
Cable jacket	PUR, Black
Core insulation	PP
Core cross-section	3 x 0.34 mm ²
Arrangement of strands	22
Core colors	BN, BU, BK

Electrical properties at +20 °C

Mechanical and chemical properties

Ambient temperature range (stationary)	-50...+80°C
Ambient temperature range (In motion)	-25...+80°C

Note

- We reserve the right to make technical modifications without prior notice.

