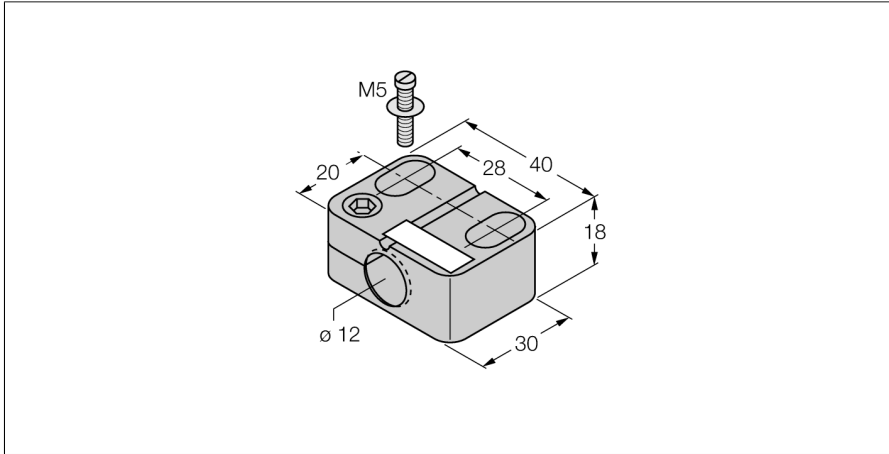


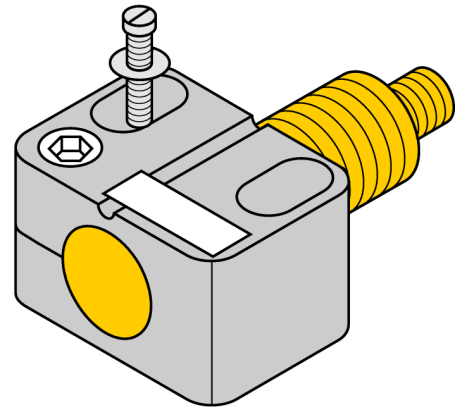
# Accessories

## Mounting Clamp

### BST-12B



- Fixing clamp with dead-stop
- Plastic PA6



Type	BST-12B
ID	6947212
Design	Accessories for threaded barrel, M12
Dimensions	30 x 40 x 18 mm
Housing material	Plastic, PA6, Black
Max. tightening torque of housing nut	0.5 Nm