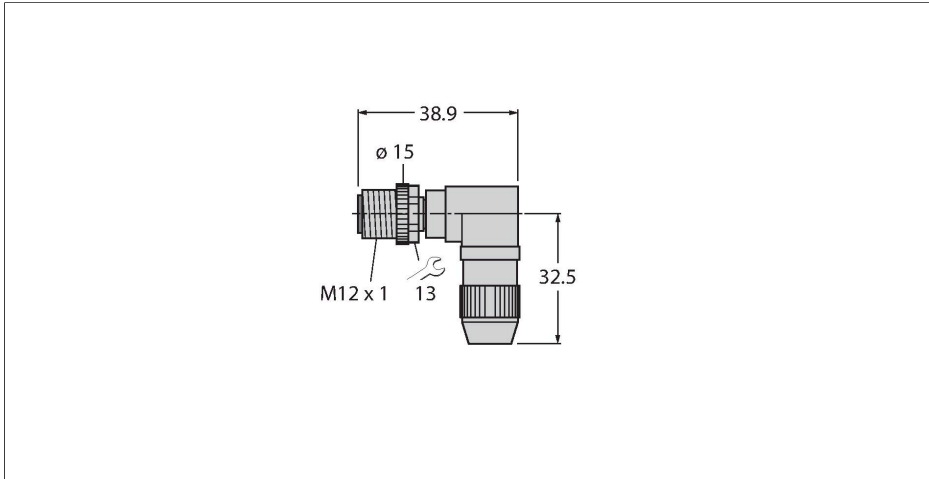


# HAS8241-0

## Field-Wireable Connector

### Male Connector M12 × 1, Angled

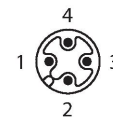


### Features



- Metal coupling nut
- Protection class IP67
- IDC quick connection
- A-coding
- 4-pin
- M12 × 1 metric screw-in thread
- Cable feedthrough 4.0...5.1 mm

### Contact assignment



### Technical data

Type	HAS8241-0
ID	6905400
Connector A	Male, M12 × 1, Angled, A-coded
Number of Pins	4
Contacts	CuZn, Gold-plated
Contact carriers	Plastic, PA, Black
Connector body	Plastic, PA, Black
Coupling nut/screw	Brass, CuZn, Nickel-plated
Screw-in thread seal	plastic, FPM/FKM
Screw-in thread	M12 × 1
External diameter of the cable	4...5.1 mm
Core cross-section/Clamping ability	0.25...0.5 mm <sup>2</sup>
Connection mode	Insulation displacement terminal
Protection class	IP67, (screwed together)
<b>Electrical properties at +20 °C</b>	
Rated voltage	32 V
Current	4 A
Insulation resistance	≥ 10 <sup>8</sup> Ω
forward resistance	≤ 5 mΩ
<b>Mechanical and chemical properties</b>	
Ambient temperature range (stationary)	-5...+50 °C